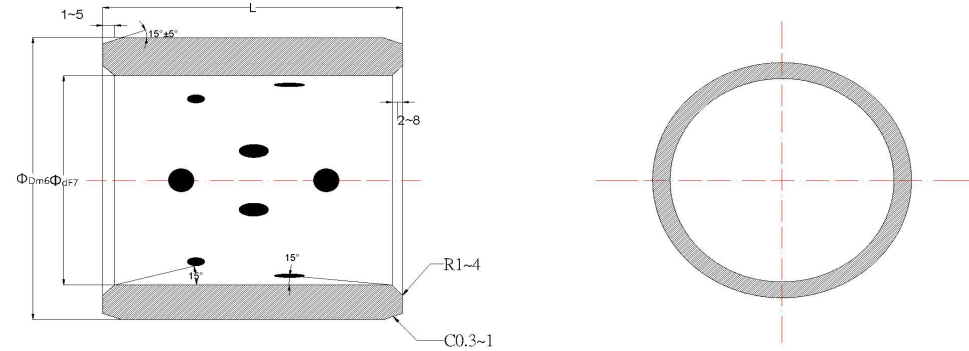
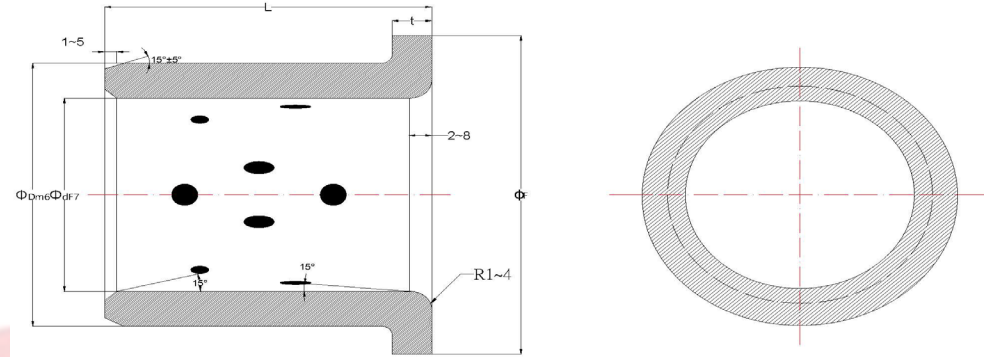


内徑		外徑		L(mm) -0.10 -0.30																				
ϕd		ϕD		8	10	12	15	16	20	25	30	35	40	45	50	60	70	80	100	120	130	140	150	
8	+0.028 +0.018	12	+0.018 +0.007	●	●	●	●																	
10	+0.028 +0.018	14	+0.018 +0.007	●	●	●	●		●															
12	+0.034 +0.016	18	+0.018 +0.007	●	●	●	●	●	●	●	●													
13	+0.034 +0.016	19	+0.021 +0.008		●	●	●		●															
14	+0.028 +0.018	20	+0.021 +0.008		●	●	●		●	●	●													
15	+0.028 +0.018	21	+0.021 +0.008		●	●	●	●	●	●	●													
16	+0.034 +0.016	22	+0.021 +0.008		●	●	●	●	●	●	●	●	●											
18	+0.034 +0.016	24	+0.021 +0.008			●	●	●	●	●	●	●	●	●	●									
20	+0.041 +0.020	28	+0.021 +0.008		●	●	●	●	●	●	●	●	●	●	●	●								
20	+0.041 +0.020	30	+0.021 +0.008			●	●	●	●	●	●	●	●	●	●	●								
25	+0.041 +0.020	33	+0.025 +0.009			●	●	●	●	●	●	●	●	●	●	●								
25	+0.041 +0.020	35	+0.025 +0.009			●	●	●	●	●	●	●	●	●	●	●	●							
30	+0.041 +0.020	38	+0.025 +0.009			●	●	●	●	●	●	●	●	●	●	●								
30	+0.041 +0.020	40	+0.025 +0.009			●	●	●	●	●	●	●	●	●	●	●								
31.5	+0.050 +0.025	40	+0.025 +0.009				●	●	●	●	●	●	●	●	●	●								
35	+0.050 +0.025	44	+0.025 +0.009				●	●	●	●	●	●	●	●	●	●								
35	+0.050 +0.025	45	+0.025 +0.009				●	●	●	●	●	●	●	●	●	●								
40	+0.050 +0.025	50	+0.025 +0.009				●	●	●	●	●	●	●	●	●	●	●	●						
40	+0.050 +0.025	55	+0.030 +0.011				●	●	●	●	●	●	●	●	●	●	●	●						
45	+0.050 +0.025	55	+0.030 +0.011					●	●	●	●	●	●	●	●	●	●	●						
45	+0.050 +0.025	56	+0.030 +0.011					●	●	●	●	●	●	●	●	●	●	●						
45	+0.050 +0.025	60	+0.030 +0.011						●	●	●	●	●	●	●	●	●	●	●	●				



内径		外径		L(mm) -0.10 -0.30																			
ϕd		ϕD		8	10	12	15	16	20	25	30	35	40	45	50	60	70	80	100	120	130	140	150
50	+0.050 +0.025	60	+0.030 +0.011						●		●	●	●	●	●	●	●	●					
50	+0.050 +0.025	62	+0.030 +0.011								●	●	●	●	●	●	●	●					
50	+0.050 +0.025	65	+0.030 +0.011								●	●	●	●	●	●	●	●	●				
55	+0.060 +0.030	70	+0.030 +0.011								●	●	●	●	●	●	●	●	●				
60	+0.060 +0.030	74	+0.030 +0.011								●	●	●	●	●	●	●	●	●				
60	+0.060 +0.030	75	+0.030 +0.011								●	●	●	●	●	●	●	●	●	●			
63	+0.060 +0.030	76	+0.030 +0.011													●	●	●	●				
65	+0.060 +0.030	80	+0.030 +0.011										●	●	●	●	●	●	●				
70	+0.060 +0.030	85	+0.035 +0.013								●	●	●	●	●	●	●	●	●	●			
70	+0.060 +0.030	90	+0.035 +0.013													●	●	●	●	●	●		
75	+0.060 +0.030	90	+0.035 +0.013													●	●	●	●	●	●		
75	+0.060 +0.030	95	+0.035 +0.013													●	●	●	●	●	●		
80	+0.060 +0.030	96	+0.035 +0.013										●	●	●	●	●	●	●	●	●		
80	+0.060 +0.030	100	+0.035 +0.013									●	●	●	●	●	●	●	●	●	●	●	
90	+0.071 +0.026	110	+0.035 +0.013												●	●	●	●	●	●	●	●	
100	+0.071 +0.026	120	+0.035 +0.013													●	●	●	●	●	●	●	
110	+0.071 +0.026	130	+0.040 +0.015												●	●	●	●	●	●	●	●	
120	+0.071 +0.026	140	+0.040 +0.015													●	●	●	●	●	●	●	
125	+0.083 +0.043	145	+0.040 +0.015														●	●	●	●	●	●	
130	+0.083 +0.043	150	+0.040 +0.015														●	●	●	●	●	●	
140	+0.083 +0.043	160	+0.040 +0.015															●	●	●	●	●	
150	+0.083 +0.043	170	+0.040 +0.015																●	●	●	●	
160	+0.083 +0.043	180	+0.040 +0.015																	●	●	●	



内径		外径		凸縁外径	t	L											
φd		φD		φF	0 -0.1	10	15	20	25	30	35	40	50	60	67.5	80	100
10	+0.040 +0.025	14	+0.034 +0.023	22	2	1010	1015	1020									
12	+0.050 +0.032	18	+0.034 +0.023	25	3	1210	1215	1220	1225	1230							
13	+0.050 +0.032	19	+0.041 +0.028	26	3	1310	1315	1320									
14	+0.050 +0.032	20	+0.041 +0.028	27	3		1415	1420	1425								
15	+0.050 +0.032	21	+0.041 +0.028	28	3	1510	1515	1520	1525	1530							
16	+0.050 +0.032	22	+0.041 +0.028	29	3		1615	1620	1625	1630	1635	1640					
20	+0.061 +0.040	30	+0.041 +0.028	40	5		2015	2020	2025	2030	2035	2040					
25	+0.061 +0.040	35	+0.050 +0.034	45	5		2515	2520	2525	2530	2535	2540	2550				
30	+0.061 +0.040	40	+0.050 +0.034	50	5			3020	3025	3030	3035	3040	3050				
31.5	+0.075 +0.050	40	+0.050 +0.034	50	5			3120		31303	3135	3140					
35	+0.075 +0.050	45	+0.050 +0.034	60	5			3520	3525	3530	3535	3540	3550				
40	+0.075 +0.050	50	+0.050 +0.034	65	5			3520	4025	4030	4035	40	4050				
45	+0.075 +0.050	55	+0.060 +0.041	70	5			4020		4530	4535	4540	4550	4560			
50	+0.075 +0.050	60	+0.060 +0.041	75	5					5030	5035	5040	5050	5060			
55	+0.090 +0.060	65	+0.060 +0.041	80	5							5540	5050	5560			
60	+0.090 +0.060	75	+0.062 +0.043	90	7.5							6040	6050	6060		6080	
63	+0.090 +0.060	75	+0.062 +0.043	85	7.5										6367		
70	+0.090 +0.060	85	+0.073 +0.051	105	7.5								7050			7080	
75	+0.090 +0.060	90	+0.073 +0.051	110	7.5									7560			
80	+0.090 +0.060	100	+0.073 +0.051	120	10									8060		8080	80100
90	+0.107 +0.072	110	+0.076 +0.054	130	10									9060		9080	
100	+0.107 +0.072	120	+0.076 +0.054	150	10											10080	100100
120	+0.107 +0.072	140	+0.086 +0.063	170	10											12080	120100