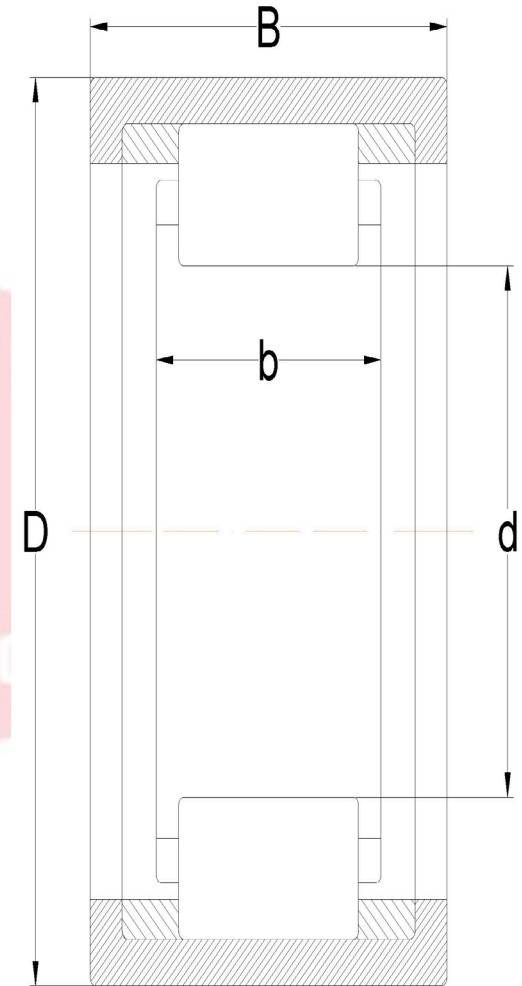
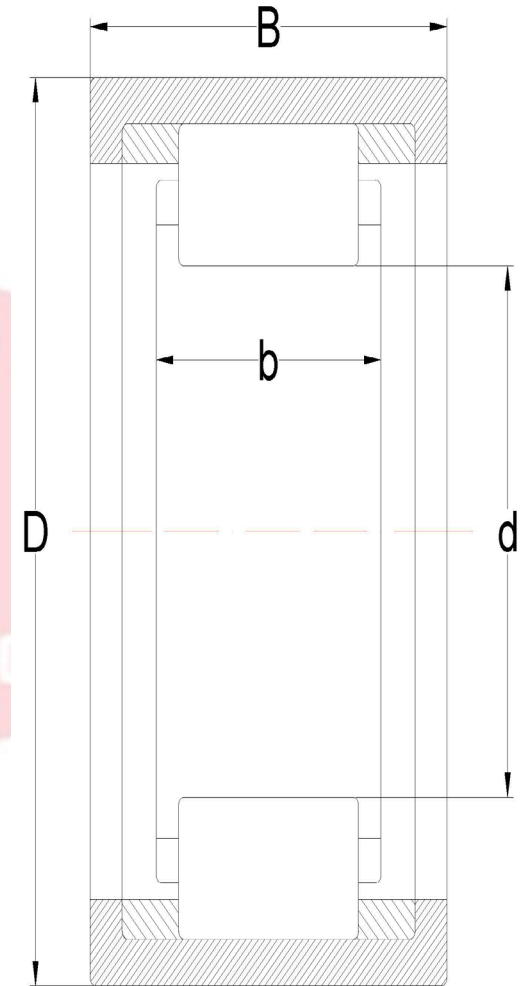


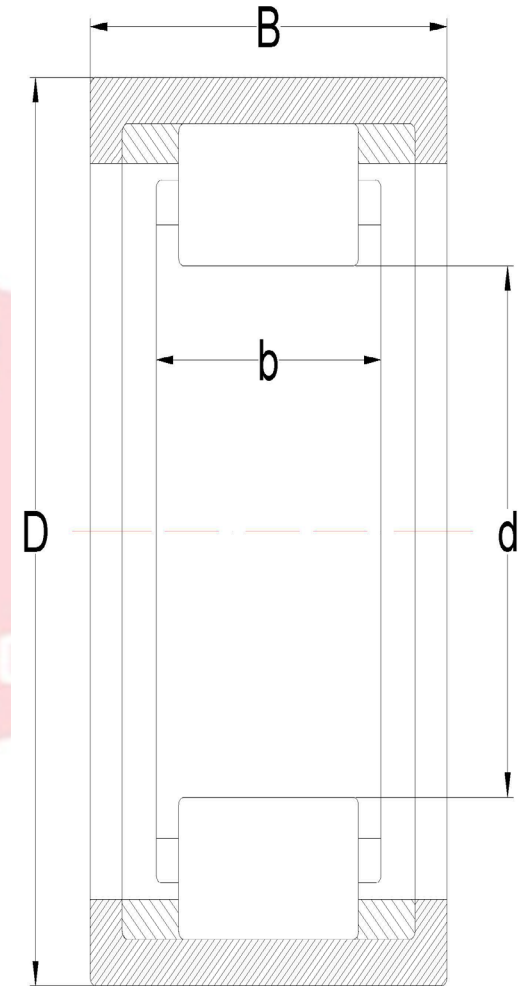
型號	主要寸法							軸徑極限尺寸		孔座極限尺寸		基本定格荷重		極限轉速	內輪型號	重量 g
	d		D		B		b	最大	最小	最大	最小	C	CO	rpm		
	mm	in	mm	in	mm	in	最小	mm	mm	mm	mm					
BA44					6.350	1/4	5.1					180	100		2	
BA45	6.350	1/4	11.112	7/16	7.938	5/16	6.7	6.350	6.341	11.122	11.104	220	130	55000	2.5	
BA47					11.112	7/16	9.8					330	230		3.5	
BA55					7.938	5/16	6.7					260	170		3	
BA56	7.938	5/16	12.700	1/2	9.525	3/8	8.3	7.938	7.929	12.710	12.692	330	230	45000	3.6	
BA57					11.112	7/16	9.8					400	290		4.6	
BA59					14.288	9/16	13					510	390		5.6	
BA65					7.938	5/16	6.7					300	200		3.5	
BA66	9.525	3/8	14.288	9/16	9.525	3/8	8.3	9.525	9.516	14.298	14.280	370	270	40000	4.2	
BA68					12.700	1/2	11.5					530	430		5.7	
BA610					15.875	5/8	14.5					650	550		7.3	
BA78	11.112	7/16	15.875	5/8	12.700	1/2	11.5	11.112	11.101	15.885	15.867	590	500	35000	6.5	
BA85					7.938	5/16	6.7					340	260		4.8	
BA86					9.525	3/8	8.3					420	340		5.8	
BA87	12.700	1/2	17.462	11/16	11.112	7/16	9.8	12.700	12.689	17.472	17.454	510	440	30000	6.7	
BA88					12.700	1/2	11.5					590	530		7.8	
BA810					15.875	5/8	14.5					720	680		9.8	
BA812					19.050	3/4	17.6					860	860		11.8	
BA95					7.938	5/16	6.7					360	290		5.3	
BA96					9.525	3/8	8.3					450	390		6.4	
BA97	14.288	9/16	19.050	3/4	11.112	7/16	9.8	14.288	14.277	19.062	19.041	550	490	30000	7.4	
BA98					12.700	1/2	11.5					640	600		8.6	
BA910					15.875	5/8	14.5					770	770		10.3	
BA912					19.050	3/4	17.6					930	970		13	
BA105					7.938	5/16	6.7					390	320		5.8	
BA107					11.112	7/16	9.8					580	550		8.1	
BA108	15.875	5/8	20.638	13/16	12.700	1/2	11.5	15.875	15.864	20.650	20.629	680	660	25000	9.4	
BA1012					19.050	3/4	17.6					990	1080		14.3	
BA1014					22.255	7/8	20.8					1150	1310		16.7	
BA1061					25.400	1	24					1310	1550		19.1	



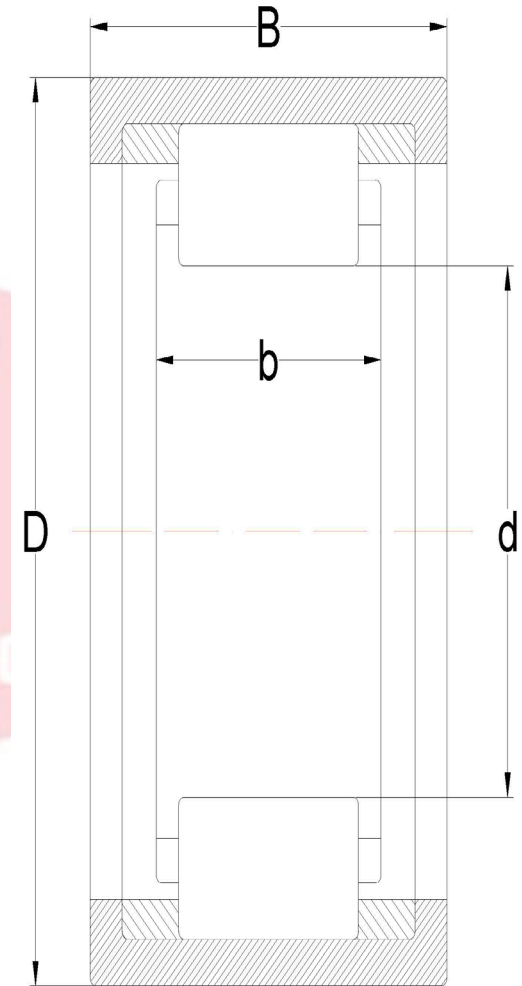
型號	主要寸法							軸徑極限尺寸		孔座極限尺寸		基本定格荷重		極限轉速	內輪型號	重量 g
	d		D		B		b	最大	最小	最大	最小	C	CO	rpm		
	mm	in	mm	in	mm	in	最小	mm	mm	mm	mm					
BA116	17.462	11/16	22.225	7/8	9.525	3/8	8.3	17.462	17.451	22.237	22.216	510	470	25000	IRB86	7.6
BA118					12.700	1/2	11.5					720	730		IRB88	10.2
BA1110					15.875	5/8	14.5					880	940			12.9
BA1112					19.050	3/4	17.6					1050	1190		IRB812	15.5
BA126	19.050	3/4	25.400	1	9.525	3/8	7.9	19.050	19.037	25.412	25.391	650	510	20000		10.2
BA128					12.700	1/2	11.1					920	810		IRB88-1	13.9
BA1210					15.875	5/8	14.2					1130	1050		IRB810-1	17.7
BAA1212					19.050	3/4	17.5					1370	1340		IRB812-1	21.5
BA1214					22.225	7/8	20.6					1600	1640		IRB814-1	25
BA1216					25.400	1	23.8					1820	1940		IRB816-1	29
BA136	20.638	13/16	26.988	1 1/16	9.525	3/8	7.9	20.638	20.625	27.000	26.979	670	540	19000		10.9
BA138					12.700	1/2	11.1					950	860		IRB98	14.9
BA1310					15.875	5/8	14.2					1170	1110		IRB910	18.8
BA1312					19.050	3/4	17.5					1410	1420		IRB912	23
BA1314					22.225	7/8	20.6					1650	1730		IRB914	27
BA1316					25.400	1	23.8					1880	2050		IRB916	31
BA1320					31.750	1 1/4	30.1					2160	2450		IRB920	38
BA146					22.225	7/8	28.575					1 1/8	9.525		3/8	7.9
BA148	12.700	1/2	11.1	1020				950	IRB108	16						
BA1412	19.050	3/4	17.5	1510				1580	IRB1012	24.5						
BA1414	22.225	7/8	20.6	1770				1930	IRB1014	29						
BA1416	25.400	1	23.8	2010				2280	IRB1016	33						
BA1422	34.925	1 3/8	33.3	2540				3060	IRB1022	45.5						
BA1510	23.812	15/16	30.162	1 3/16	15.875	5/8	14.2	23.812	23.799	30.176	30.151	1290	1300	16000	IRB1110	21.5
BA1515					25.400	1	23.8					2070	2390		IRB1116	35



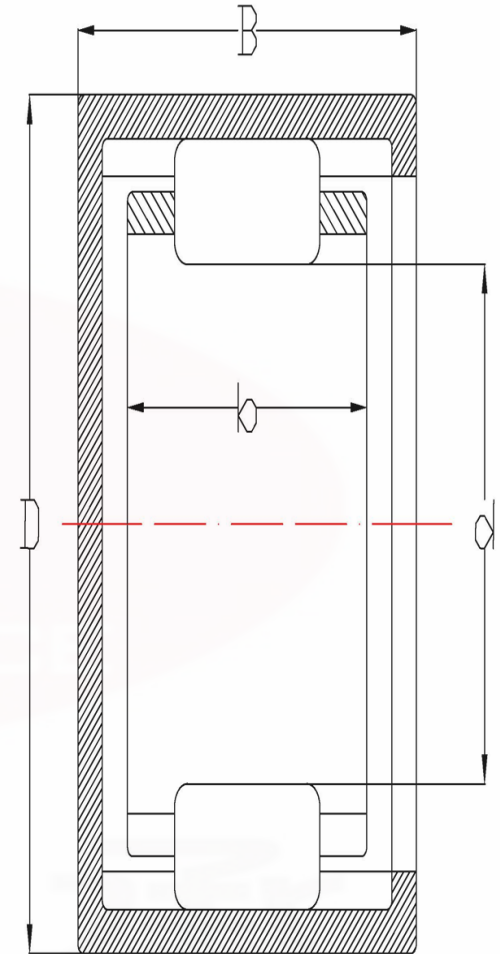
型號	主要寸法							軸徑極限尺寸		孔座極限尺寸		基本定格荷重		極限轉速	內輪型號	重量 g	
	d		D		B		b	最大	最小	最大	最小	C	CO	rpm			
	mm	in	mm	in	mm	in	最小	mm	mm	mm	mm						
BA166	25.400	1	31.750	1 1/4	9.525	7/8	7.6	25.400	25.387	31.764	31.739	780	690	15000		13.2	
BA167					11.112	1/4	9.2					960	910			15.7	
BA168					12.700	1/2	10.8					1110	1100		IRB128	18.1	
BA1612					19.050	3/4	17.1					1650	1810		IRB1212	27.5	
BA1614					22.225	7/8	20.3					1930	2220		IRB1214	32.5	
BA1616					25.400	1	23.5					2200	2620		IRB1216	37.5	
BA1620					31.750	1 1/4	30					2550	3170		IRB1220	46.5	
BA1710					26.988	1 1/16	33.338					1 5/16	15.875		5/8	14	26.988
BA186	28.575	1 1/8	34.925	1 3/8	9.525	3/8	7.6	28.575	28.562	34.939	34.914	820	750	13000		14.5	
BA188					12.700	1/2	10.8					1170	1190		IRB148	19.9	
BA1812					19.050	3/4	17.1					1730	1970		IRB1412	30.5	
BA1816					25.400	1	23.5					2310	2850		IRB1416	41.5	
BA1820					31.750	1 1/4	30					2690	3460		IRB1420	51	
BA1910					30.162	1 3/16	38.100					1 1/2	15.875		5/8	14	30.162
BA1916					25.400	1	23.5					2580	2970			56.5	
BA208	31.750	1 1/4	38.100	1 1/2	12.700	1/2	10.8	31.750	31.734	38.114	38.089	1250	1330	12000	IRB168	22	
BA2010					15.875	5/8	14					1530	1730		IRB1610	28	
BA2012					19.050	3/4	17.1					1840	2210		IRB1612	33.5	
BA2016					25.400	1	23.5					2460	3190		IRB1616	45.5	
BA2020					31.750	1 1/4	30					2870	3890		IRB1620	56.5	
BA218													12.700		1/2	10.8	
BA2110	33.338	1 5/16	41.275	1 5/8	15.875	5/8	14	33.338	33.322	41.289	41.264	1660	1720	IRB1610-1	38		
BA2112					19.050	3/4	17.1					2000	2170	IRB1612-1	46		
BA228	34.925	1 3/8	41.275	1 5/8	12.700	1/2	10.8	34.925	34.909	41.289	41.264	1320	1480	10000	IRB188	24	
BA2212					19.050	3/4	17.1					1960	2440		IRB1812	37	
BA2216					25.400	1	23.5					2610	3530		IRB1816	49.5	
BA2220					31.750	1 1/4	30					3060	4320		IRB1820	62	



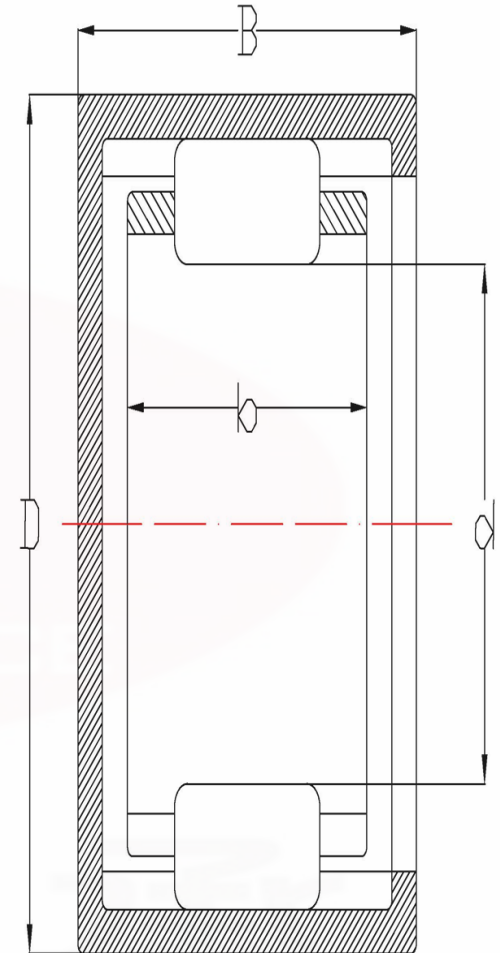
型號	主要寸法							軸徑極限尺寸		孔座極限尺寸		基本定格荷重		極限轉速	內輪型號	重量 g
	d		D		B		b	最大	最小	最大	最小	C	CO	rpm		
	mm	in	mm	in	mm	in	最小	mm	mm	mm	mm					
BA248	38.100	1 1/2	47.625	1 7/8	12.700	1/2	10.6	38.100	38.084	47.639	47.614	1570	1460	9000	IRB2010	40.5
BA2410					15.875	5/8	13.8					1860	1820			51
BA2412					19.050	3/4	17					2320	2400			62
BA2414					22.225	7/8	20.1					2760	3010			73
BA2416					25.400	1	23.5					3180	3610			84.5
BA2420					31.750	1 1/4	29.6					3950	4770			106
BA268	41.427	1 5/8	50.800	2	12.700	1/2	10.6	41.275	41.259	50.818	50.788	1680	1600	8000	IRB2210	43
BA2610					15.875	5/8	13.8					1990	2000			54.5
BA2620					31.750	1 1/4	29.6					4220	5250			113
BA2812	44.450	1 3/4	53.975	2 1/8	19.050	3/4	17	44.450	44.434	53.993	53.963	2560	2820	7500	IRB2416	71.5
BA2816					25.400	1	23.5					3520	4240			97
BA2824					38.100	1 1/2	36					4980	6630			146
BA308	47.625	1 7/8	57.150	2 1/4	12.700	1/2	10.5	47.625	47.609	57.168	57.138	1800	1840	7000	IRB248-1	49.5
BA3010					15.875	5/8	13.6					2140	2290			62.5
BA3016					25.400	1	23.2					3650	4560			103
BA328	50.800	2	60.325	2 3/8	12.700	1/2	10.5	50.800	50.781	60.343	60.313	1900	1990	6000	IRB2616	52
BA3216					25.400	1	23.2					3840	4930			109
BA3220					31.750	1 1/4	29.5					4770	6510			138
BA3224					38.100	1 1/2	36					5420	7640			165
BAW3228					44.450	1 3/4	42.2					5710	8210			186
BA3416	53.975	2 1/8	63.500	2 1/2	25.400	1	23.2	53.975	53.956	63.518	63.488	3850	5030	5500	IRB3016	116
BA3424					38.100	1 1/2	36					5480	7910			174
BA4216	66.675	2 5/8	76.200	3	25.400	1	23.2	66.675	66.656	76.218	76.188	4370	6290	4000	IRB3116	140
BA4416	69.850	2 3/4	79.375	3 1/8	25.400	1	23.2	69.850	69.831	79.393	79.363	4550	6680	3500	IRB4016	146
BA4420					31.750	1 1/4	29.5					5650	8810			184



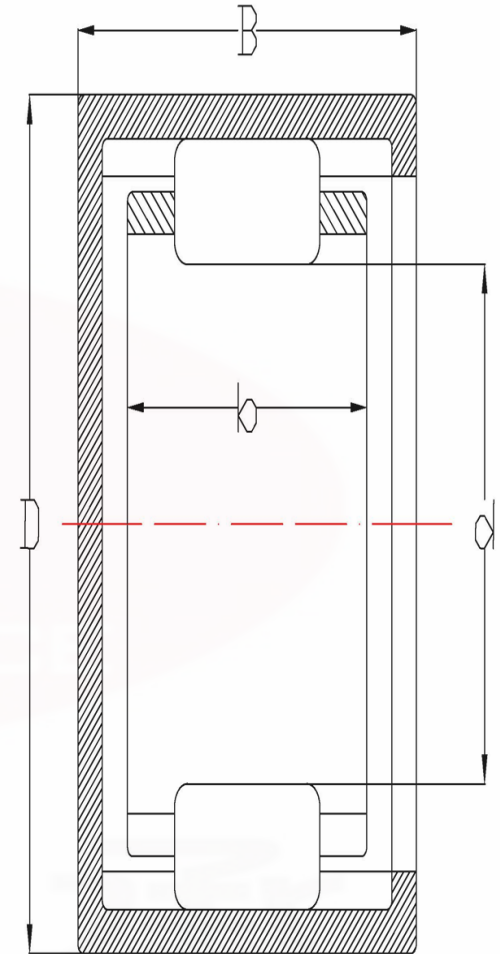
型號	主要寸法							軸徑極限尺寸		孔座極限尺寸		基本定格荷重		極限轉速	內輪型號	重量 g
	d		D		B		b	最大	最小	最大	最小	C	CO	rpm		
	mm	in	mm	in	mm	in	最小	mm	mm	mm	mm					
BAM44	6.350	1/4	11.112	7/16	6.350	1/4	5.1	6.350	6.341	11.122	11.104	180	100	55000		2.3
BAM45					7.938	5/16	6.7					220	130			2.8
BAM47					11.112	7/16	9.8					330	230			3.8
BAM55	7.938	5/16	12.700	1/2	7.938	5/16	6.7	7.938	7.929	12.710	12.692	260	170	45000		3.5
BAM56					9.525	3/8	8.3					330	230			4.1
BAM57					11.112	7/16	9.8					400	290			4.8
BAM59					14.288	9/16	13					510	390			6.1
BAM65	9.525	3/8	14.288	9/16	7.938	5/16	6.7	9.525	9.516	14.298	14.280	300	200	40000		4.1
BAM66					9.525	3/8	8.3					370	270			4.8
BAM68					12.700	1/2	11.5					530	430			6.4
BAM610					15.875	5/8	14.5					650	550			7.7
BAM78	11.112	7/16	15.875	5/8	12.700	1/2	11.5	11.112	11.101	15.885	15.867	590	500	35000		7.3
BAM85	12.700	1/2	17.462	11/16	7.938	5/16	6.7	12.700	12.689	17.472	17.454	340	260	30000		5.8
BAM86					9.525	3/8	8.3					420	340			7
BAM87					11.112	7/16	9.8					510	440			7.8
BAM88					12.700	1/2	11.5					590	530			9
BAM810					15.875	5/8	14.5					720	680			11
BAM812					19.050	3/4	17.6					860	860			13
BAM95	14.288	9/16	19.050	3/4	7.938	5/16	6.7	14.288	14.277	19.062	19.041	360	290	30000		6.6
BAM96					9.525	3/8	8.3					450	390			7.8
BAM97					11.112	7/16	9.8					550	490			8.7
BAM98					12.700	1/2	11.5					640	600			10
BAM910					15.875	5/8	14.5					770	770			11.7
BAM912					19.050	3/4	17.6					930	970			14.5
BAM105	15.875	5/8	20.638	13/16	7.938	5/16	6.7	15.875	15.864	20.650	20.629	390	320	25000		7.3
BAM107					11.112	7/16	9.8					580	550			9.7
BAM108					12.700	1/2	11.5					680	660			11.2
BAM1012					19.050	3/4	17.6					990	1080			16
BAM1014					22.255	7/8	20.8					1150	1310			18.5
BAM1061					25.400	1	24					1310	1550			21



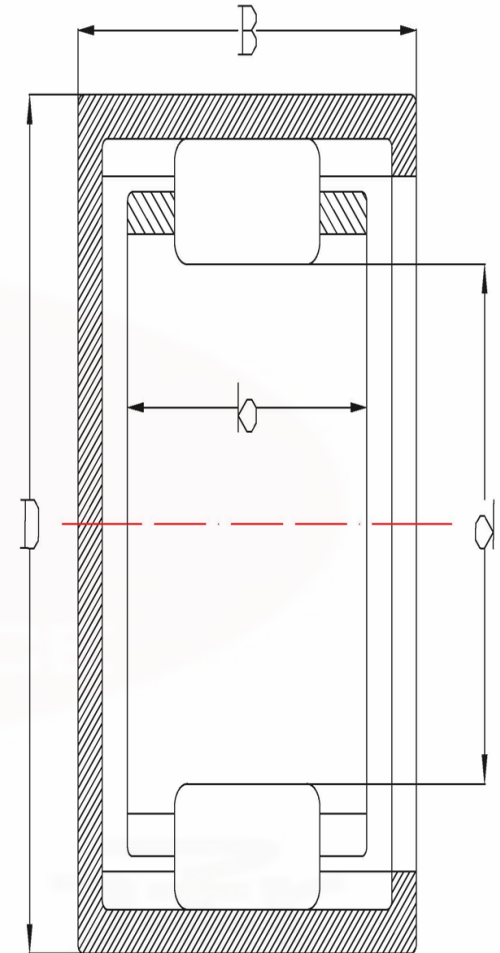
型號	主要寸法							軸徑極限尺寸		孔座極限尺寸		基本定格荷重		極限轉速	內輪型號	重量 g									
	d		D		B		b	最大	最小	最大	最小	C	CO	rpm											
片測密閉型	mm	in	mm	in	mm	in	最小	mm	mm	mm	mm														
BAM116	17.462	11/16	22.225	7/8	9.525	3/8	8.3	17.462	17.451	22.237	22.216	510	470	25000	IRB86	9.7									
BAM118					12.700	1/2	11.5					720	730		IRB88	12.3									
BAM1110					15.875	5/8	14.5					880	940			14.7									
BAM1112					19.050	3/4	17.6					1050	1190		IRB812	17.6									
BAM126	19.050	3/4	25.400	1	9.525	3/8	7.9	19.050	19.037	25.412	25.391	650	510	20000		12.8									
BAM128					12.700	1/2	11.1					920	810		IRB88-1	16.8									
BAM1210					15.875	5/8	14.2					1130	1050		IRB810-1	20.5									
BAM1212					19.050	3/4	17.5					1370	1340		IRB812-1	24									
BAM1214					22.225	7/8	20.6					1600	1640		IRB814-1	28									
BAM1216					25.400	1	23.8					1820	1940		IRB816-1	31.5									
BAM136	20.638	13/16	26.988	1 1/16	9.525	3/8	7.9	20.638	20.625	27.000	26.979	670	540	19000		13.8									
BAM138					12.700	1/2	11.1					950	860		IRB98	18.1									
BAM1310					15.875	5/8	14.2					1170	1110		IRB910	22									
BAM1312					19.050	3/4	17.5					1410	1420		IRB912	26									
BAM1314					22.225	7/8	20.6					1650	1730		IRB914	30									
BAM1316					25.400	1	23.8					1880	2050		IRB916	34									
BAM1320					31.750	1 1/4	30.1					2160	2450		IRB920	41									
BAM146					22.225	7/8	28.575					1 1/8	9.525		3/8	7.9	22.225	22.212	28.587	28.566	720	600	18000		15
BAM148	12.700	1/2	11.1	1020				950	IRB108	19.6															
BAM1412	19.050	3/4	17.5	1510				1580	IRB1012	28															
BAM1414	22.225	7/8	20.6	1770				1930	IRB1014	32.5															
BAM1416	25.400	1	23.8	2010				2280	IRB1016	37															
BAM1422	34.925	1 3/8	33.3	2540				3060	IRB1022	49															
BAM1510	23.812	15/16	30.162	1 3/16				15.875	5/8	14.2	23.812		23.799	30.176	30.151	1290					1300	16000		IRB1110	25.5
BAM1515								25.400	1	23.8						2070					2390			IRB1116	39



型號	主要寸法							軸徑極限尺寸		孔座極限尺寸		基本定格荷重		極限轉速	內輪型號	重量 g
	d		D		B		b	最大	最小	最大	最小	C	CO	rpm		
片測密閉型	mm	in	mm	in	mm	in	最小	mm	mm	mm	mm					
BAM166	25.400	1	31.750	1 1/4	9.525	7/8	7.6	25.400	25.387	31.764	31.739	780	690	15000		17.3
BAM167					11.112	1/4	9.2					960	910			19.9
BAM168					12.700	1/2	10.8					1110	1100		IRB128	22.5
BAM1612					19.050	3/4	17.1					1650	1810		IRB1212	32
BAM1614					22.225	7/8	20.3					1930	2220		IRB1214	37
BAM1616					25.400	1	23.5					2200	2620		IRB1216	42
BAM1620					31.750	1 1/4	30					2550	3170		IRB1220	51
BAM1710					26.988	1 1/16	33.338					1 5/16	15.875		5/8	14
BAM186	28.575	1 1/8	34.925	1 3/8	9.525	3/8	7.6	28.575	28.562	34.939	34.914	820	750	13000		19.6
BAM188					12.700	1/2	10.8					1170	1190		IRB148	25.5
BAM1812					19.050	3/4	17.1					1730	1970		IRB1412	36
BAM1816					25.400	1	23.5					2310	2850		IRB1416	47
BAM1820					31.750	1 1/4	30					2690	3460		IRB1420	57
BAM1910					30.162	1 3/16	38.100					1 1/2	15.875		5/8	14
BAM1916					25.400	1	23.5					2580	2970			63.5
BAM208	31.750	1 1/4	38.100	1 1/2	12.700	1/2	10.8	31.750	31.734	38.114	38.089	1250	1330	12000	IRB168	29
BAM2010					15.875	5/8	14					1530	1730		IRB1610	34.5
BAM2012					19.050	3/4	17.1					1840	2210		IRB1612	40.5
BAM2016					25.400	1	23.5					2460	3190		IRB1616	52.2
BAM2020					31.750	1 1/4	30					2870	3890		IRB1620	63.5
BAM218					12.700	1/2	10.8					1270	1210		IRB168-1	39
BAM2110	33.338	1 5/16	41.275	1 5/8	15.875	5/8	14	33.338	33.322	41.289	41.264	1660	1720	11000	IRB1610-1	47
BAM2112					19.050	3/4	17.1					2000	2170		IRB1612-1	55
BAM228	34.925	1 3/8	41.275	1 5/8	12.700	1/2	10.8	34.925	34.909	41.289	41.264	1320	1480	10000	IRB188	32
BAM2212					19.050	3/4	17.1					1960	2440		IRB1812	45
BAM2216					25.400	1	23.5					2610	3530		IRB1816	57.5
BAM2220					31.750	1 1/4	30					3060	4320		IRB1820	70

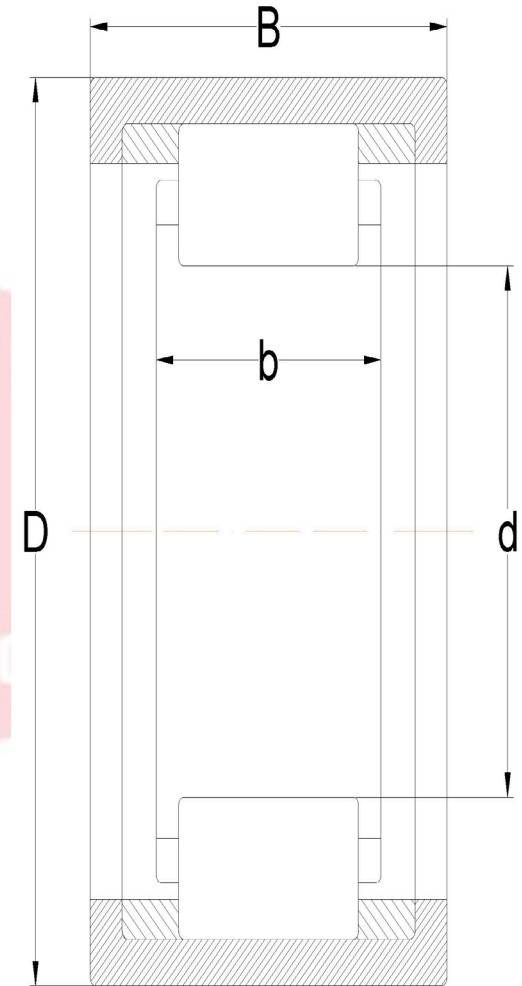


型號	主要寸法							軸徑極限尺寸		孔座極限尺寸		基本定格荷重		極限轉速	內輪型號	重量 g
	d		D		B		b	最大	最小	最大	最小	C	CO	rpm		
片測密閉型	mm	in	mm	in	mm	in	最小	mm	mm	mm	mm					
BAM248	38.100	1 1/2	47.625	1 7/8	12.700	1/2	10.6	38.100	38.084	47.639	47.614	1570	1460	9000	IRB2010	53
BAM2410					15.875	5/8	13.8					1860	1820			64
BAM2412					19.050	3/4	17					2320	2400			75
BAM2414					22.225	7/8	20.1					2760	3010			86
BAM2416					25.400	1	23.5					3180	3610			97
BAM2420					31.750	1 1/4	29.6					3950	4770			119
BAM268	41.427	1 5/8	50.800	2	12.700	1/2	10.6	41.275	41.259	50.818	50.788	1680	1600	8000	IRB2210	58
BAM2610					15.875	5/8	13.8					1990	2000			69
BAM2620					31.750	1 1/4	29.6					4220	5250			128
BAM2812	44.450	1 3/4	53.975	2 1/8	19.050	3/4	17	44.450	44.434	53.993	53.963	2560	2820	7500	IRB2416	88
BAM2816					25.400	1	23.5					3520	4240			114
BAM2824					38.100	1 1/2	36					4980	6630			163
BAM308	47.625	1 7/8	57.150	2 1/4	12.700	1/2	10.5	47.625	47.609	57.168	57.138	1800	1840	7000	IRB248-1	68.5
BAM3010					15.875	5/8	13.6					2140	2290			82
BAM3016					25.400	1	23.2					3650	4560			122
BAM328	50.800	2	60.325	2 3/8	12.700	1/2	10.5	50.800	50.781	60.343	60.313	1900	1990	6000	IRB2616	73.5
BAM3216					25.400	1	23.2					3840	4930			131
BAM3220					31.750	1 1/4	29.5					4770	6510			159
BAM3224					38.100	1 1/2	36					5420	7640			186
BAMW3228					44.450	1 3/4	42.2					5710	8210			210
BAM3416	53.975	2 1/8	63.500	2 1/2	25.400	1	23.2	53.975	53.956	63.518	63.488	3850	5030	5500	IRB3016	140
BAM3424					38.100	1 1/2	36					5480	7910			198
BAM4216	66.675	2 5/8	76.200	3	25.400	1	23.2	66.675	66.656	76.218	76.188	4370	6290	4000	IRB3116	175
BAM4416	69.850	2 3/4	79.375	3 1/8	25.400	1	23.2	69.850	69.831	79.393	79.363	4550	6680	3500	IRB4016	184
BAM4420					31.750	1 1/4	29.5					5650	8810			225

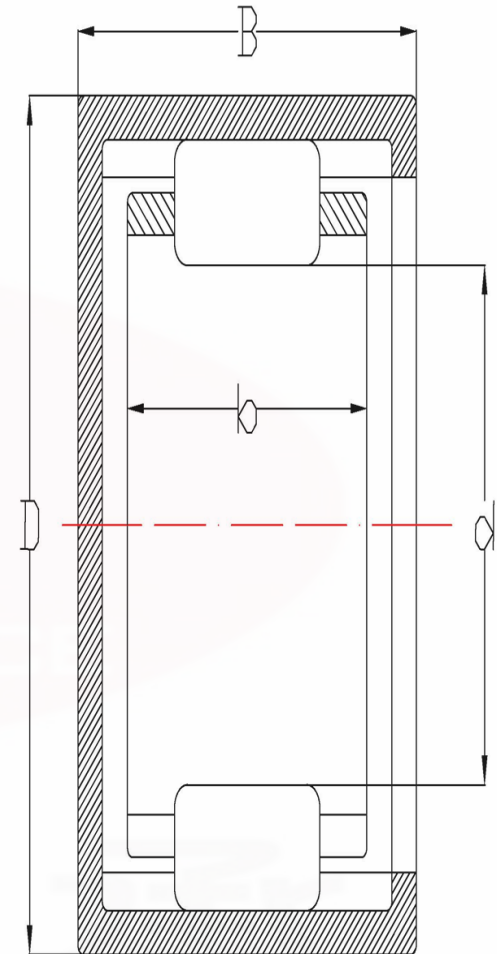




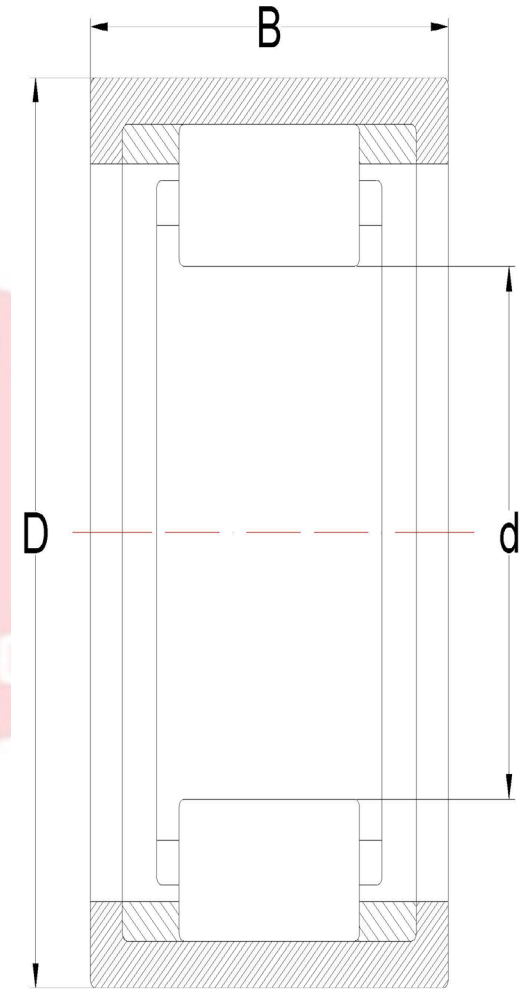
型號	主要寸法						軸徑極限尺寸		孔座極限尺寸		基本定格荷重		極限轉速	內輪型號	重量 g	
	d		D		B		b	最大	最小	最大	最小	C	CO			rpm
	mm	in	mm	in	mm	in	最小	mm	mm	mm	mm					
BHA57	7.938	5/16	14.288	9/16	11.112	7/16	9.7	7.938	7.929	14.298	14.280	440	290	45000		5.6
BHA68	9.525	3/8	15.875	5/8	12.700	1/2	11.1	9.525	9.516	15.885	15.867	620	450	40000		7.6
BHA78	11.112	7/16	17.462	11/16	12.700	1/2	11.1	11.112	11.101	17.472	17.454	640	480	35000		8.5
BHA88	12.700	1/2	19.050	3/4	12.700	1/2	11.1	12.700	12.689	19.062	19.041	690	520	3000		9.8
BHA812	12.700	1/2	19.050	3/4	19.050	3/4	17.5	12.700	12.689	19.062	19.041	1020	870	30000		15.0
BHA98	14.288	9/16	20.638	13/16	12.700	1/2	11.1	14.288	14.277	20.650	20.629	770	620	30000	IRB68	11.0
BHA108	15.875	5/8	22.225	7/8	12.700	1/2	11.1	15.875	15.864	22.237	22.216	810	670	25000	IRB78	11.9
BHA1010	15.875	5/8	22.225	7/8	15.875	5/8	14.3	15.875	15.864	22.237	22.216	1000	870	25000		15.1
BHA1016	15.875	5/8	22.225	7/8	25.400	1	24.0	15.875	15.864	22.237	22.216	1600	1590	25000	IRB716	22.5
BHA1110	17.462	11/16	23.812	15/16	15.875	5/8	14.3	17.462	17.451	23.824	23.803	1090	990	25000		16.5
BHA1312	20.638	13/16	28.575	1 1/8	19.050	3/4	17.5	20.638	20.625	28.587	28.566	1520	1390	19000	IRB912	30.5
BHA1412	22.225	7/8	30.162	1 3/16	19.050	3/4	17.5	22.225	22.212	30.176	30.151	1570	1480	18000	IRB1012	32.5
BHA1416	22.225	7/8	30.162	1 3/16	25.400	1	24.0	22.225	22.212	30.176	30.151	2100	2150	18000	IRB1016	44.0
BHA168	25.400	1	33.338	1 5/16	12.700	1/2	10.8	25.400	25.387	33.352	33.327	1220	1090	15000	IRB128	23.5
BHA1612	25.400	1	33.338	1 5/16	19.050	3/4	17.1	25.400	25.387	33.352	33.327	1680	1650	15000	IRB1212	36.0
BHA1616	25.400	1	33.338	1 5/16	25.400	1	23.5	25.400	25.387	33.352	33.327	2290	2460	15000	IRB1316	48.5
BHA1812	28.575	1 1/8	38.100	1 1/2	19.050	3/4	17.1	28.575	28.562	38.114	38.089	2050	1930	130000	IRB1412	48.5
BHA1816	28.575	1 1/8	38.100	1 1/2	25.400	1	23.5	28.575	28.562	38.114	38.089	2800	2880	130000	IRB1416	66.0
BHA1818	28.575	1 1/8	38.100	1 1/2	28.575	1 1/8	26.7	28.575	28.562	38.114	38.089	3240	3470	130000		75.0
BHA1820	28.575	1 1/8	38.100	1 1/2	31.750	1 1/4	29.8	28.575	28.562	38.114	38.089	3320	3590	130000	IRB1420	81.5
BHA2016	31.750	1 1/4	41.275	1 5/8	25.400	1	23.5	31.750	31.734	41.289	41.264	2980	3200	12000	IRB1616	72.5
BHA2212	34.925	1 3/8	44.450	1 3/4	19.050	3/4	17.1	34.925	34.909	44.464	44.439	2320	2360	10000	IRB1812	58.0
BHA2216	34.925	1 3/8	44.450	1 3/4	25.400	1	23.5	34.925	34.909	44.464	44.439	3160	3520	10000	IRB1816	79.0
BHA2824	44.450	1 3/4	57.150	2 1/4	38.100	1 1/2	36.0	44.450	44.434	57.168	57.138	6570	7740	7500	IRB2424	196.0



型號	主要寸法						軸徑極限尺寸		孔座極限尺寸		基本定格荷重		極限轉速	內輪型號	重量 g	
	d		D		B		b	最大	最小	最大	最小	C	CO			rpm
	mm	in	mm	in	mm	in	最小	mm	mm	mm	mm					
BHAM57	7.938	5/16	14.288	9/16	11.112	7/16	9.7	7.938	7.929	14.298	14.280	440	290	45000		6.2
BHAM68	9.525	3/8	15.875	5/8	12.7	1/2	11.1	9.525	9.516	15.885	15.867	620	450	40000		8.4
BHAM78	11.112	7/16	17.462	11/16	12.7	1/2	11.1	11.112	11.101	17.472	17.454	640	480	35000		9.4
BHAM88	12.7	1/2	19.05	3/4	12.7	1/2	11.1	12.7	12.689	19.062	19.041	690	520	3000		11.2
BHAM812	12.7	1/2	19.05	3/4	19.05	3/4	17.5	12.7	12.689	19.062	19.041	1020	870	30000		16.4
BHAM98	14.288	9/16	20.638	13/16	12.7	1/2	11.1	14.288	14.277	20.65	20.629	770	620	30000	IRB68	12.6
BHAM108	15.875	5/8	22.225	7/8	12.7	1/2	11.1	15.875	15.864	22.237	22.216	810	670	25000	IRB78	13.9
BHAM1010	15.875	5/8	22.225	7/8	15.875	5/8	14.3	15.875	15.864	22.237	22.216	1000	870	25000		17.1
BHAM1016	15.875	5/8	22.225	7/8	25.4	1	24.0	15.875	15.864	22.237	22.216	1600	1590	25000	IRB716	24.5
BHAM1110	17.462	11/16	23.812	15/16	15.875	5/8	14.3	17.462	17.451	23.824	23.803	1090	990	25000		18.9
BHAM1312	20.638	13/16	28.575	1 1/8	19.05	3/4	17.5	20.638	20.625	28.587	28.566	1520	1390	19000	IRB912	34.0
BHAM1412	22.225	7/8	30.162	1 3/16	19.05	3/4	17.5	22.225	22.212	30.176	30.151	1570	1480	18000	IRB1012	37.0
BHAM1416	22.225	7/8	30.162	1 3/16	25.4	1	24.0	22.225	22.212	30.176	30.151	2100	2150	18000	IRB1016	48.5
BHAM168	25.4	1	33.338	1 5/16	12.7	1/2	10.8	25.4	25.387	33.352	33.327	1220	1090	15000	IRB128	29.0
BHAM1612	25.4	1	33.338	1 5/16	19.05	3/4	17.1	25.4	25.387	33.352	33.327	1680	1650	15000	IRB1212	41.5
BHAM1616	25.4	1	33.338	1 5/16	25.4	1	23.5	25.4	25.387	33.352	33.327	2290	2460	15000	IRB1316	54.0
BHAM1812	28.575	1 1/8	38.1	1 1/2	19.05	3/4	17.1	28.575	28.562	38.114	38.089	2050	1930	130000	IRB1412	56.5
BHAM1816	28.575	1 1/8	38.1	1 1/2	25.4	1	23.5	28.575	28.562	38.114	38.089	2800	2880	130000	IRB1416	74.0
BHAM1818	28.575	1 1/8	38.1	1 1/2	28.575	1 1/8	26.7	28.575	28.562	38.114	38.089	3240	3470	130000		83.0
BHAM1820	28.575	1 1/8	38.1	1 1/2	31.75	1 1/4	29.8	28.575	28.562	38.114	38.089	3320	3590	130000	IRB1420	89.5
BHAM2016	31.75	1 1/4	41.275	1 5/8	25.4	1	23.5	31.75	31.734	41.289	41.264	2980	3200	12000	IRB1616	82.0
BHAM2212	34.925	1 3/8	44.45	1 3/4	19.05	3/4	17.1	34.925	34.909	44.464	44.439	2320	2360	10000	IRB1812	69.0
BHAM2216	34.925	1 3/8	44.45	1 3/4	25.4	1	23.5	34.925	34.909	44.464	44.439	3160	3520	10000	IRB1816	90.0
BHAM2824	44.45	1 3/4	57.15	2 1/4	38.1	1 1/2	36.0	44.45	44.434	57.168	57.138	6570	7740	7500	IRB2424	215



型號	主要寸法						軸徑極限尺寸		孔座極限尺寸		基本定格荷重		極限轉速 rpm	內輪型號	重量 g
	d		D		B		最大	最小	最大	最小	C	CO			
	mm	in	mm	in	mm	in	mm	mm	mm	mm					
YB2.5	3.969	5/32	7.144	9/32	3.969	5/32	3.969	3.961	7.152	7.137	100	90	40000		0.64
YB34	4.762	3/16	8.731	11/32	6.350	1/4	4.762	4.754	8.739	8.721	190	190	30000		1.60
YB45	6.350	1/4	11.112	7/16	7.938	5/16	6.350	6.341	11.122	11.104	310	320	25000		3.20
YB47	6.350	1/4	11.112	7/16	11.112	7/16	6.350	6.341	11.122	11.104	430	500	25000		4.60
YB55	7.938	5/16	12.700	1/2	7.938	5/16	7.938	7.929	12.710	12.692	350	390	20000		3.80
YB64	9.525	3/8	14.288	9/16	6.350	1/4	9.525	9.516	14.298	14.280	310	340	16000		3.40
YB66	9.525	3/8	14.288	9/16	9.525	3/8	9.525	9.516	14.298	14.280	470	570	16000		5.30
YB68	9.525	3/8	14.288	9/16	12.700	1/2	9.525	9.516	14.298	14.280	620	820	16000		7.20
YB610	9.525	3/8	14.288	9/16	15.875	5/8	9.525	9.516	14.298	14.280	760	1070	16000		9.10
YB78	11.112	7/16	15.875	5/8	12.700	1/2	11.112	11.101	15.885	15.867	680	940	14000		8.20
YBH78	11.112	7/16	17.462	11/16	12.700	1/2	11.112	11.101	17.472	17.454	780	890	14000		10.50
YB84	12.700	1/2	17.462	11/16	6.350	1/4	12.700	12.689	17.472	17.454	370	430	12000		4.30
YB86	12.700	1/2	17.462	11/16	9.525	3/8	12.700	12.689	17.472	17.454	560	740	12000		6.70
YB87	12.700	1/2	17.462	11/16	11.112	7/16	12.700	12.689	17.472	17.454	650	900	12000		7.90
YB88	12.700	1/2	17.462	11/16	12.700	1/2	12.700	12.689	17.472	17.454	730	1050	12000		9.10
YB810	12.700	1/2	17.462	11/16	15.875	5/8	12.700	12.689	17.472	17.454	900	1370	12000		11.50
YB812	12.700	1/2	17.462	11/16	19.050	3/4	12.700	12.689	17.472	17.454	1060	1690	12000		13.90
YBH810	12.700	1/2	19.050	3/4	15.875	5/8	12.700	12.689	19.062	19.041	1080	1420	12000		16.00
YB98	14.288	9/16	19.050	3/4	12.700	1/2	14.288	14.277	19.062	19.041	780	1170	11000	IRB68	10.10
YB910	14.288	9/16	19.050	3/4	15.875	5/8	14.288	14.277	19.062	19.041	960	1520	11000		12.70
YB912	14.288	9/16	19.050	3/4	19.050	3/4	14.288	14.277	19.062	19.041	1130	1870	11000	IRB612	15.40
YB105	15.875	5/8	20.638	13/16	7.938	5/16	15.875	15.864	20.650	20.629	520	710	95000		6.70
YB108	15.875	5/8	20.638	13/16	12.700	1/2	15.875	15.864	20.650	20.629	830	1290	95000	IRB78	11.00
YB1012	15.875	5/8	20.638	13/16	19.050	3/4	15.875	15.864	20.650	20.629	1200	2060	95000	IRB712	16.90
YBH108	15.875	5/8	22.225	7/8	12.700	1/2	15.875	15.864	22.237	22.216	1000	1310	95000	IRB78	15.30
YB1112	17.462	11/16	22.225	7/8	19.050	3/4	17.462	17.451	22.237	22.216	1260	2250	8500	IRB812	18.30
YB124	19.050	3/4	25.400	1	6.350	1/4	19.050	19.037	25.412	25.391	530	590	8000		8.50
YB128	19.050	3/4	25.400	1	12.700	1/2	19.050	19.037	25.412	25.391	1110	1540	8000	IRB88-1	17.80
YB1210	19.050	3/4	25.400	1	15.875	5/8	19.050	19.037	25.412	25.391	1370	2010	8000	IRB810-1	22.50
YB1212	19.050	3/4	25.400	1	19.050	3/4	19.050	19.037	25.412	25.391	1610	2740	8000	IRB812-1	27.00



型號	主要寸法						軸徑極限尺寸		孔座極限尺寸		基本定格荷重		極限轉速 rpm	內輪型號	重量 g
	d		D		B		最大	最小	最大	最小	C	CO			
	mm	in	mm	in	mm	in	mm	mm	mm	mm					
YB136	20.638	13/16	26.988	1 1/8	9.525	3/8	20.638	20.625	27.000	26.979	870	1140	7500		14.10
YB138	20.638	13/16	26.988	1 1/8	12.700	1/2	20.638	20.625	27.000	26.979	1160	1650	7500	IRB98	19.10
YBH1310	20.638	13/16	26.988	1 1/8	15.875	5/8	20.638	20.625	28.587	28.566	1520	2080	7500	IRB910	30.50
YBH1312	20.638	13/16	26.988	1 1/8	19.050	3/4	20.638	20.625	28.587	28.566	1800	2600	7500	IRB912	37.00
YB148	22.225	7/8	28.575	1 1/8	12.700	1/2	22.225	22.212	28.587	28.566	1200	1770	7000	IRB108	20.50
YB1412	22.225	7/8	28.575	1 1/8	19.050	3/4	22.225	22.212	28.587	28.566	1740	2840	7000	IRB1012	31.00
YB1416	22.225	7/8	28.575	1 1/8	25.400	1	22.225	22.212	28.587	28.566	2240	3920	7000	IRB1016	41.50
YB168	25.400	1	31.750	1 1/4	12.700	1/2	25.400	25.387	31.764	31.739	1300	1990	6000	IRB128	23.00
YB1612	25.400	1	31.750	1 1/4	19.050	3/4	25.400	25.387	31.764	31.739	1880	3200	6000	IRB1212	34.50
YB1616	25.400	1	31.750	1 1/4	25.400	1	25.400	25.387	31.764	31.739	2420	4430	6000	IRB1216	46.50
YBH168	25.400	1	33.338	1 5/16	12.700	1/2	25.400	25.387	33.352	33.327	1380	1910	6000	IRB128	29.00
YBH1612	25.400	1	33.338	1 5/16	19.050	3/4	25.400	25.387	33.352	33.327	2030	3140	6000	IRB1212	44.50
YBH1616	25.400	1	33.338	1 5/16	25.400	1	25.400	25.387	33.352	33.327	2630	4390	6000	IRB1316	59.50
YB188	28.575	1 1/8	34.925	1 3/8	12.700	1/2	28.575	28.562	34.939	34.914	1390	2220	5500	IRB148	25.50
YB1812	28.575	1 1/8	34.925	1 3/8	19.050	3/4	28.575	28.562	34.939	34.914	2000	3570	5500	IRB1412	38.50
YB1816	28.575	1 1/8	34.925	1 3/8	25.400	1	28.575	28.562	34.939	34.914	2580	4930	5500	IRB1416	51.50
YB1910	30.162	1 3/16	38.100	1 1/2	15.875	5/8	30.162	30.146	38.114	38.089	1890	2950	5000		42.50
YB2010	31.750	1 1/4	38.100	1 1/2	15.875	5/8	31.750	31.734	38.114	38.089	1800	3200	4500	IRB1610	35.00
YB2012	31.750	1 1/4	38.100	1 1/2	19.050	3/4	31.750	31.734	38.114	38.089	2110	3930	4500	IRB1612	42.50
YB2016	31.750	1 1/4	38.100	1 1/2	25.400	1	31.750	31.734	38.114	38.089	2710	5440	4500	IRB1616	57.00
YB2018	31.750	1 1/4	38.100	1 1/2	28.575	1 1/8	31.750	31.734	38.114	38.089	3000	6190	4500		64.00
YB228	34.925	1 3/8	41.275	1 5/8	12.700	1/2	34.925	34.909	41.289	41.264	1530	2680	4500	IRB188	30.50
YB2212	34.925	1 3/8	41.275	1 5/8	19.050	3/4	34.925	34.909	41.289	41.264	2220	4300	4500	IRB1812	46.00
YB2220	34.925	1 3/8	41.275	1 5/8	31.750	1 1/4	34.925	34.909	41.289	41.264	3440	7570	4500	IRB1820	77.50
YB248	38.100	1 1/2	47.625	1 7/8	12.700	1/2	38.100	38.084	47.639	47.614	1890	2760	4000		51.50
YB2414	38.100	1 1/2	47.625	1 7/8	22.225	7/8	38.100	38.084	47.639	47.614	3230	5500	4000	IRB2014	91.00
YB2416	38.100	1 1/2	47.625	1 7/8	25.400	1	38.100	38.084	47.639	47.614	3650	6420	4000	IRB2016	105.00
YB2420	38.100	1 1/2	47.625	1 7/8	31.750	1 1/4	38.100	38.084	47.639	47.614	4430	8240	4000	IRB2020	131.00
YB2610	41.275	1 5/8	50.800	2	15.875	5/8	41.275	41.259	50.818	50.788	2460	3910	3500	IRB2210	69.00
YB2816	44.450	1 3/4	53.975	2 1/8	25.400	1	44.450	44.434	53.993	53.963	3930	7340	3500	IRB2416	119.00
YB3012	47.625	1 7/8	57.150	2 1/4	19.050	3/4	47.625	47.609	57.168	57.138	3140	5620	3000		95.00

